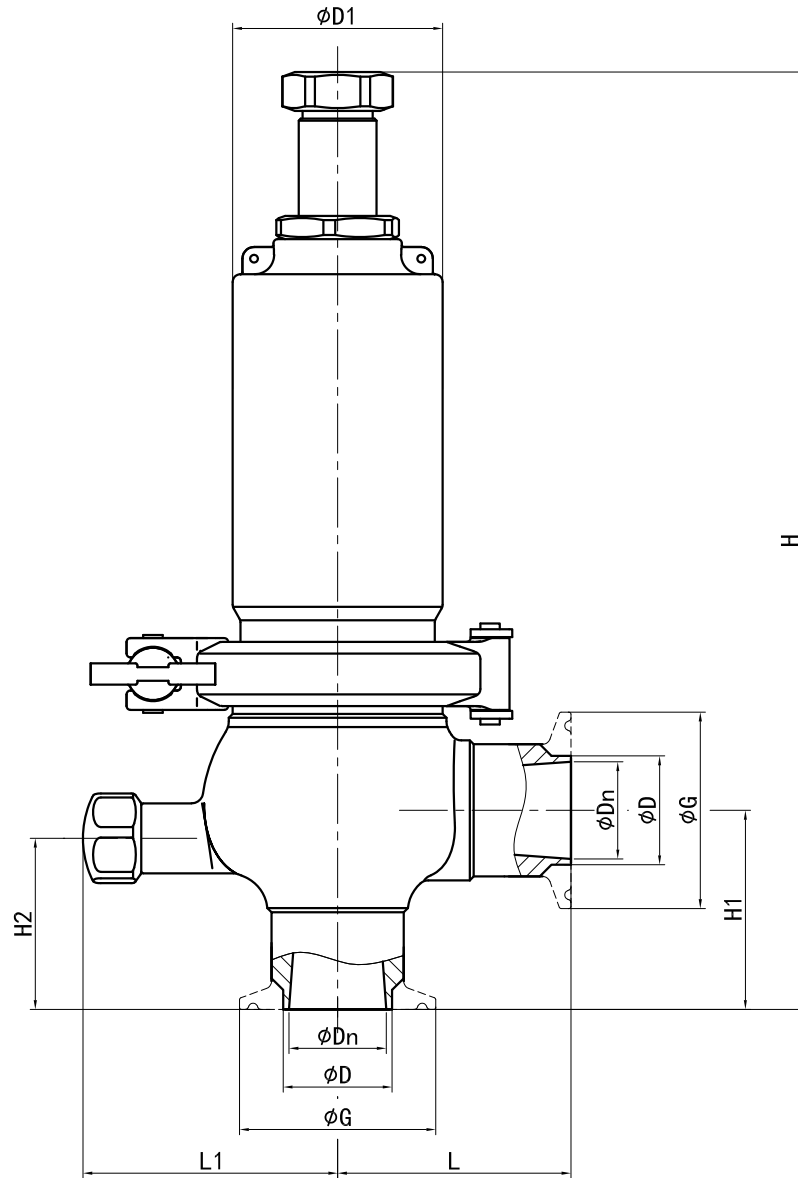


2019款安全阀外形尺寸图



规格	D	Dn	G	L	L1	H1	H2	H	D1
1"	22.4	22.4	50.5	60	65.5	51.2	44	241	54
1.25"	31.8	28.8	50.5	60	65.5	51.2	44	241	54
1.5"	38.1	35.1	50.5	65	71.5	62	51	284	54
2"	50.8	47.8	64	77	77	66	49	294	58
2.5"	63.5	59.5	77.5	85	81	77	54	322	70
3"	76.2	72.2	91	92	87.5	93	65	341	70
4"	101.6	97.6	119	115	106	111	70	421	91

规格 (DIN)	D	Dn	G	L	L1	H1	H2	H	D1
DN32	34	31	50.5	60	65.5	51.2	44	241	54
DN40	40	37	50.5	65	71.5	62	51	284	54
DN50	52	49	64	77	77	66	49	294	58
DN65	70	66	91	92	87.5	93	65	341	70
DN100	104	100	119	115	106	111	70	421	91